



Technical Information

Balanced Flue Options



For use in GB, IE (Great Britain and Republic of Ireland)

IMPORTANT

BALANCED FLUES SYSTEMS DIFFER FROM CONVENTIONAL FLUES BECAUSE THE APPLIANCE IS A SEALED UNIT. AIR FOR COMBUSTION IS DRAWN FROM OUTSIDE AND THE PRODUCTS OF COMBUSTION DISCHARGED THROUGH THE SAME EXTERNAL FLUE TERMINAL. THE FLUE HAS AN OUTER TUBE TO BRING IN THE AIR AND AN INNER TUBE TO EXPEL THE GASES.

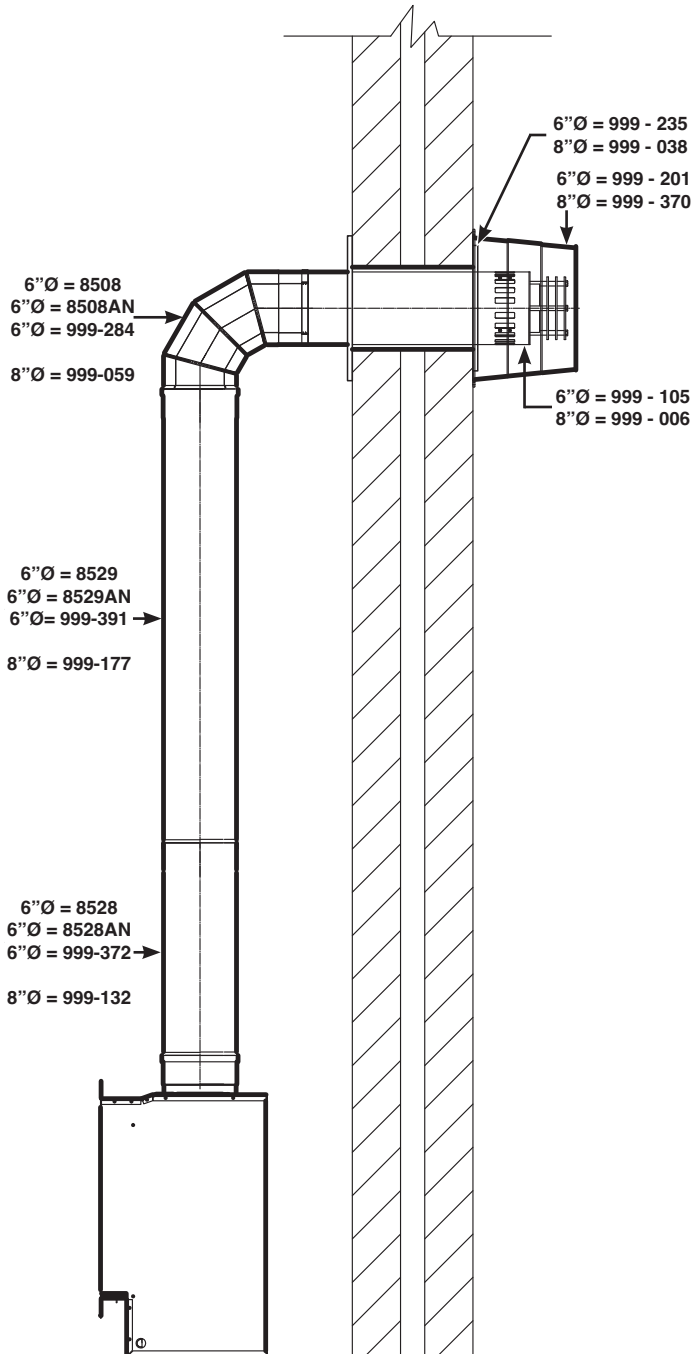
No additional ventilation is required with a Balanced flue.

The flue parts are stainless steel or anthracite finish. If an alternative finish is needed, the surface must be rubbed down with a fine wet and dry emery paper and wiped over with white spirit to remove any oil before painting.

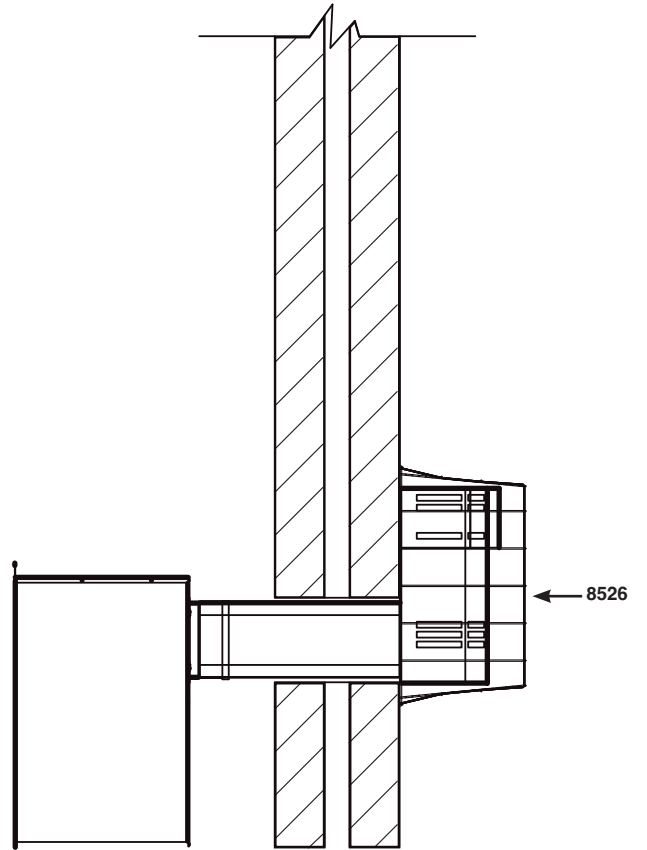
NOTE: Most flue configurations require a restrictor to be fitted. Read in conjunction with the Technical Specifications for the appliance as detailed in the supplied Installation Instructions.

TYPICAL INSTALLATIONS

HORIZONTAL EXIT TERMINATION

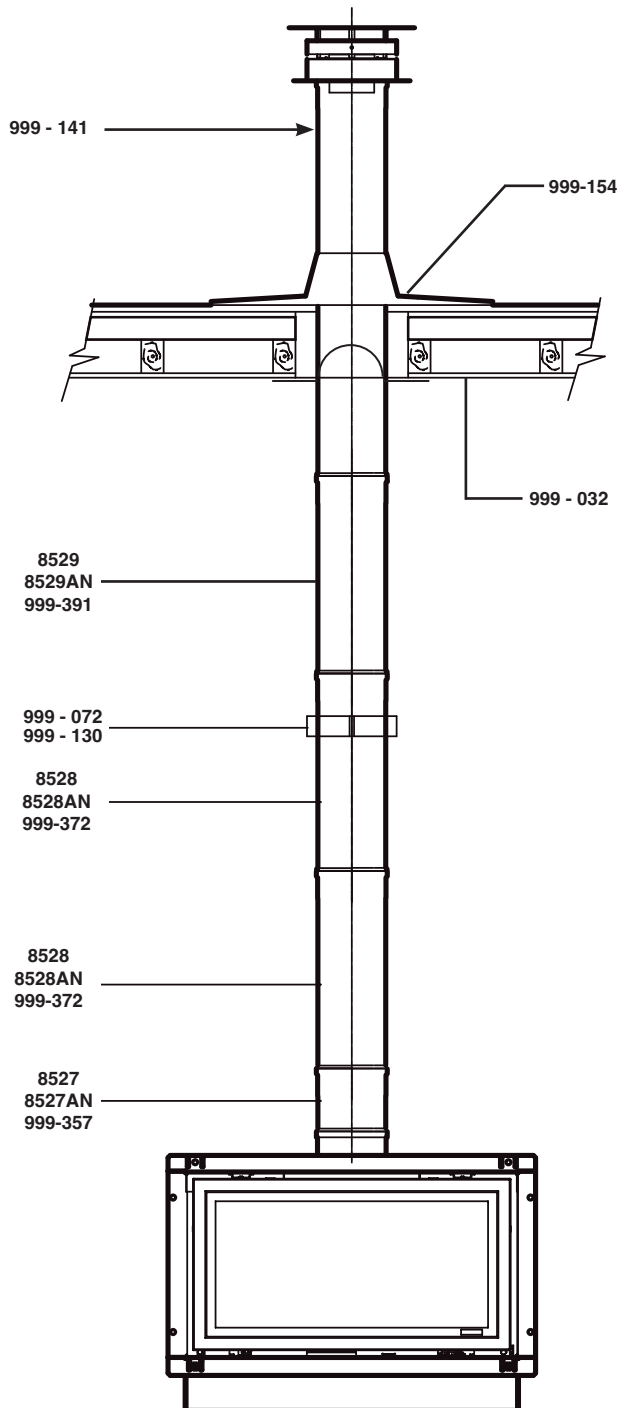


REAR EXIT TERMINATION

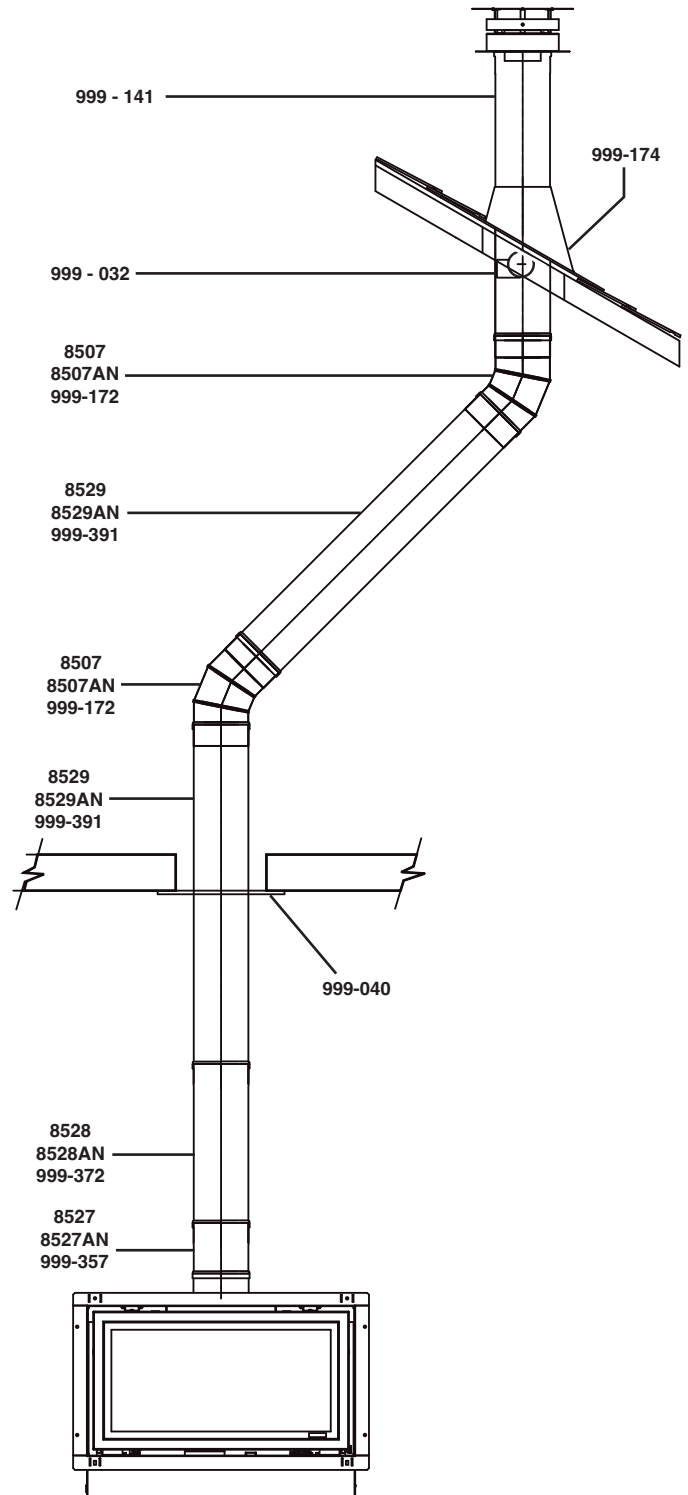


TYPICAL INSTALLATIONS

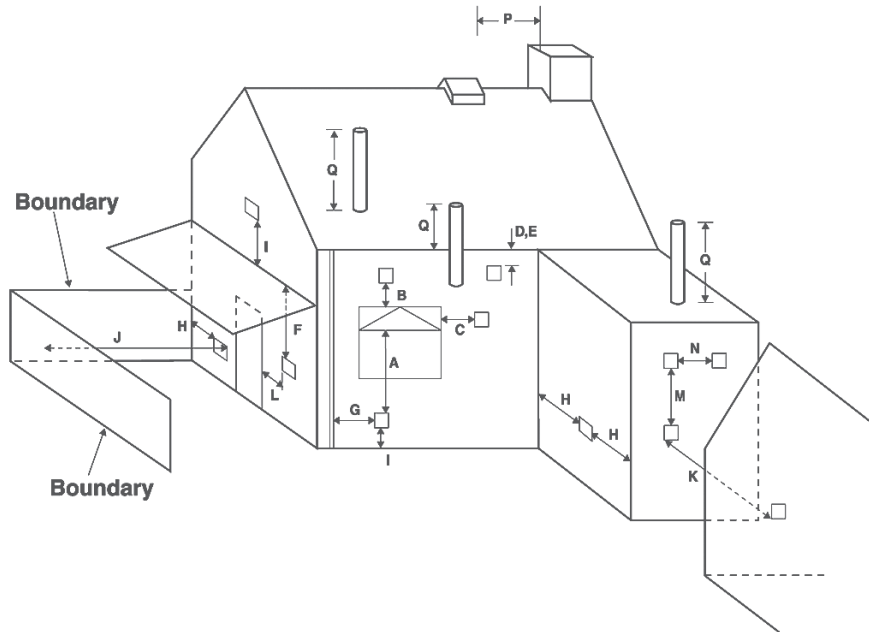
VERTICAL EXIT TERMINATION



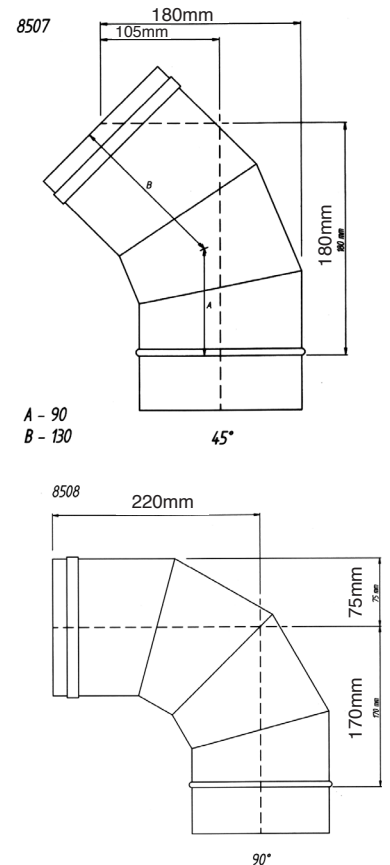
VERTICAL OFFSET EXIT TERMINATION



FLUE & CHIMNEY POSITIONS



DIMENSION	TERMINAL POSITION	MINIMUM DISTANCE
A	Directly below an opening	600mm
B	Above an opening	300mm
C	Horizontally next to an opening	400mm
D	Below gutters, soil pipes or drain pipe	300mm
E	Below eaves	300mm
F	Below balcony or car port roof	600mm
G	From a vertical drain pipe or soil pipe	300mm
H	From an internal or external corner or to a boundary alongside the terminal	600mm
I	Above ground, roof or balcony level	300mm
J	From a surface or boundary facing the terminal	600mm
K	From a terminal facing the terminal	600mm
L	From an opening in the car port (e.g. door, window) into the dwelling	1200mm
M	Vertically from a terminal on the same wall	1200mm
N	Horizontally from a terminal on the same wall	300mm
P	From a structure on the roof	600mm
Q	Above the highest point of intersection with the roof	300mm



* In addition, the terminal should not be nearer than 300mm to an opening in the building fabric formed for the purpose of accommodating a built-in element such as a window frame.

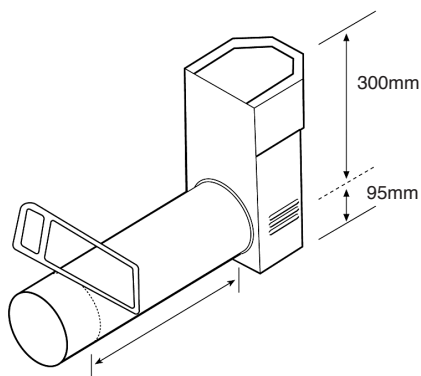
i This Gazco balanced flue system is designed to run internally with only the terminal projecting from the building.

FLUE TERMINAL KITS

REAR EXIT TERMINATION KIT

KIT NO: 8526 - ALL STOVES

Kit contents:
Stainless Steel terminal
Terminal Guard



Terminal dimensions:
395 x 200 x 200mm (H x W x D)

Cut to length as required on site.

This rear flue allows for a maximum wall thickness of 600mm* which includes the 50mm prescribed clearance between the back of the appliance and the surface of the internal wall.

HORIZONTAL FROM THE REAR OF THE APPLIANCE.

HORIZONTAL FLUE TERMINATION KIT

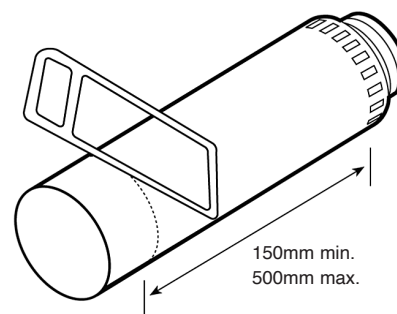
APPLIANCE	ALUMINIUM TERMINAL STAINLESS STEEL PIPE
Stoves*, Reflex 75T & 75T Multi-sided	8523**
Studio 1 Studio 1 Freestanding	8534**
Riva2 500, 750 Riva Vision Medium Studio 2 Studio 2 Freestanding CL8	8509**
Studio 2 Duplex Studio 3	8567
Reflex 105	999-333

*Excluding Vision Medium & CL8

** add AN to code for Anthracite finish

APPLIANCE	MATT IVORY TERMINAL STAINLESS STEEL PIPE
Stoves*, Reflex 75T & 75T Multi-sided	999-111

Kit contents:
Stainless Steel terminal
Terminal Guard



1 x 500mm length.

FLUE TERMINAL KITS

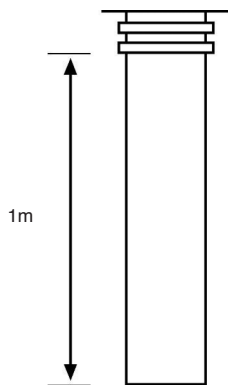
Cut to length as required on site.

HORIZONTAL FROM THE REAR OF THE APPLIANCE.

VERTICAL FLUE TERMINATION KIT

APPLIANCE	STAINLESS STEEL	ANTHRACITE	MATT IVORY
All appliances *	8524	8524 AN	999-301
All appliances*	8530 (2 x 45° Offset Bends)	8530AN (2 x 45° Offset Bends)	999-148 (2 x 45° Offset Bends)
Chesterfield 5 Huntingdon 30, 40 Sheraton 5 Stockton 5 CL5, CL8 Vision Medium, Midi Vogue Midi	999-539	999-539AN	999-224
Reflex 105 - 6"	999-352	N/A	N/A
Reflex 105 - 8"	999-333	N/A	N/A

*Suitable for all appliances except Huntingdon 30 and Stockton 5 gas stoves



IMPORTANT:
1M VERTICAL, TERMINAL AND STRAIGHT FLUE LENGTHS MUST NOT BE CUT!

TOP FLUE VERTICAL OFFSET KIT (8530/8530AN)

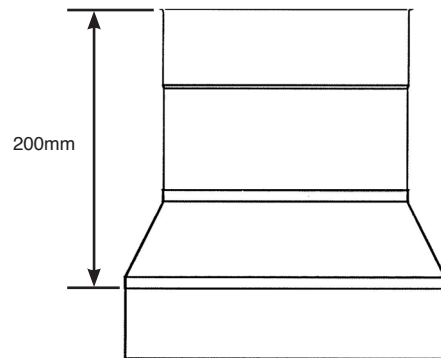
Used with kit 999-352. A minimum rise of 500mm (19 1/2") is required to the first bend.

REFLEX 105 -6" SYSTEM

KIT NO: 999-333



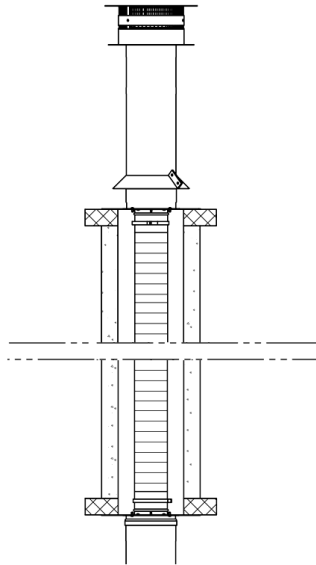
This product when fitted with an adapter is designed for and requires a 6" flue system. It is essential when ordering additional parts to consult table 2 for the relevant part numbers.



CHIMNEY RENOVATION KIT

The Renovation kit creates the balanced flue effect, either by utilising the existing chimney to draw external air into the appliance without the use of a sealed outer tube, or by the use of an inner and outer flexible flue liner system. This product range offers a flexible solution for all flue applications.

APPLIANCE	6" STAINLESS STEEL	8" STAINLESS STEEL
Riva 2 500, 600, 750HL, Reflex 75T, 75T Multi-sided	928-315	-
Reflex 105	-	999-019



OPTIONAL EXTRA FLUE LENGTHS AND BENDS

TABLE 1 - 8"

NOMINAL LENGTH	ACTUAL LENGTH	STAINLESS FINISH	ANTHRACITE FINISH
200mm	140mm	999-113	999-113AN
500mm	440mm	999-132	999-132AN
1000mm	940mm	999-177	999-177AN
Adjustable Length		999-255	999-255AN

TABLE 2 - 6"

NOMINAL LENGTH	ACTUAL LENGTH	STAINLESS FINISH	ANTHRACITE FINISH
200mm*	140mm*	8527	8527AN
500mm*	440mm*	8528	8528AN
1000mm*	940mm*	8529	8529AN

*Not including adapter dimensions

FOR ENQUIRIES IN THE U.K (EXCLUDING NI):

Stovax Limited, Spitfire Avenue, Skypark, Clyst Honiton, Exeter, Devon, England EX5 2FR

Tel: (01392) 261900 E-mail: info@gazco.com

FOR ENQUIRIES IN EUROPE (INCLUDING NI):

Stovax Heating Group (NI) Ltd (Comp reg NI675194), 40 Linenhall Street, Belfast, BT2 8BA

DX 400 NR Belfast Tel: +44 (0)1392 261990 E-mail: northernireland@gazco.com



PR0720